

Kit for fixing between floor and ceiling

Comprises: 19mm ø ceiling and floor fixings with 4M 3mm ø stainless cable and tensioner.
Allen key and fixing screws supplied.

Code: **6300**
Finishes: **SA/BA/STA**



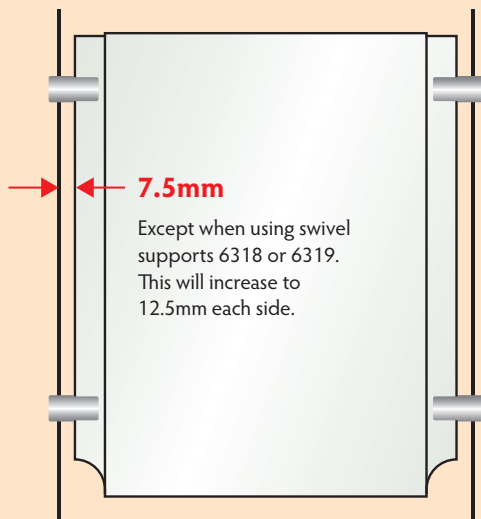
Ceiling, floor or wall mounted kit

Comprises: 40mm ø top and bottom rose with 4M 3mm ø stainless cable and tensioner.
Allen key and fixing screws supplied.

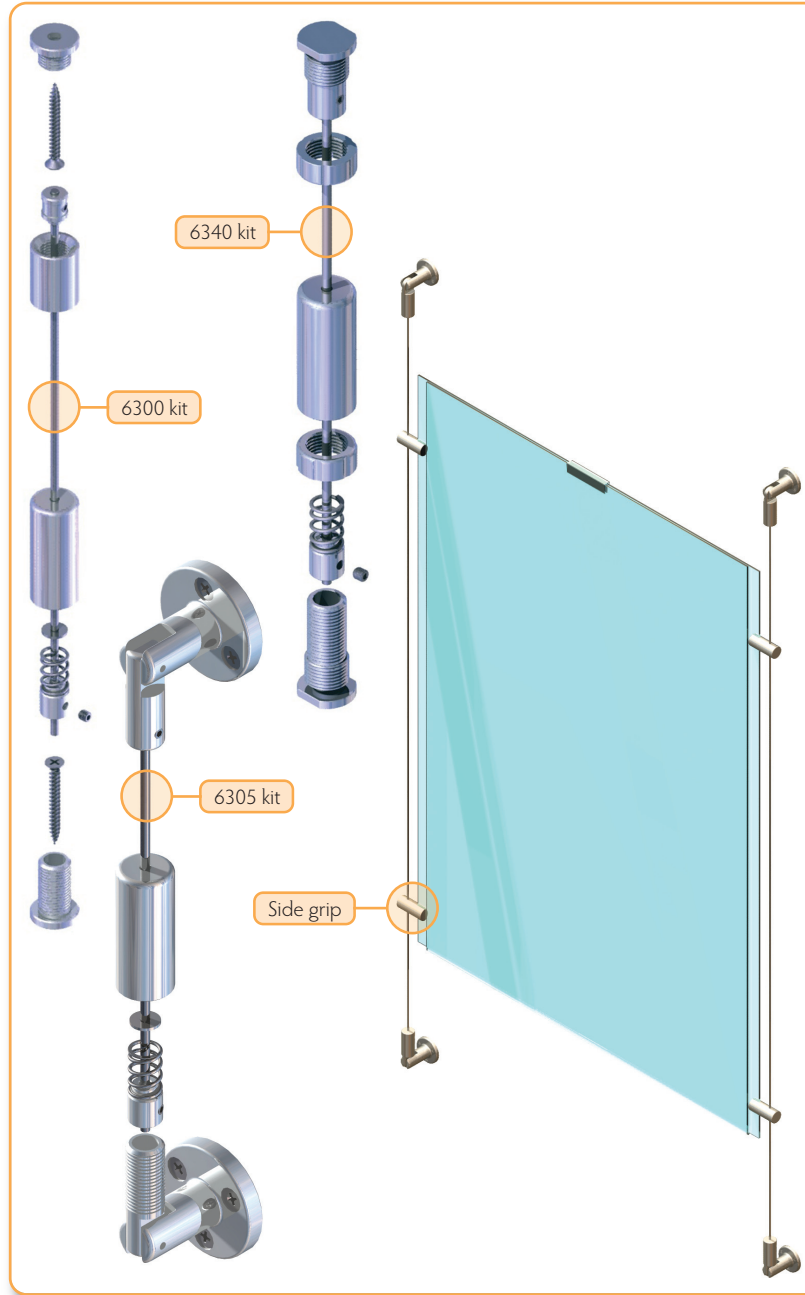
Code: **6305**
Finishes: **SA/BA/STA**



INSTALLATION TIP



When using 3mm cable, the distance between the cable centre and the edge of the panel should be 7.5mm.



Track mounted cable kit

Comprises: 19mm ø top and bottom slide track fixings with 4M 3mm ø stainless cable and tensioner.
Allen key supplied.

Code: **6340**
Finishes: **SA/STA**



Side grip

For up to 6mm panel.

Code: **6366**
Size: **19mm ø**
Finishes: **SA/BA/STA**



Twin side grip

For up to 6mm panel.

Code: **6368**
Size: **19mm ø**
Finishes: **SA/BA/STA**



Swivel side grip

For up to 6mm panel.

Code: **6318**
Size: **19mm ø**
Finishes: **SA/BA/STA**



Twin swivel side grip

For up to 6mm panel.

Code: **6319**
Size: **19mm ø**
Finishes: **SA/BA/STA**



When ordering, insert a forward slash after the code, followed by the finish code. e.g. 6011/SA.

Silver anodised
Finish code **SA**



Brass anodised
Finish code **BA**



Stainless anodised
Finish code **STA**

